



## UPD-CH Umbrella Drain, Chrome

Requested By: \_\_\_\_\_

Specific Features: \_\_\_\_\_

### STANDARD SPECIFICATIONS:

- Umbrella vessel sink drain
- Chrome finish
- Solid brass construction
- Includes rubber seals and fastener for installation
- 9.5-inches total length
- Fits any standard 1.75-inch drain opening
- cUPC
- Drain STAYS open

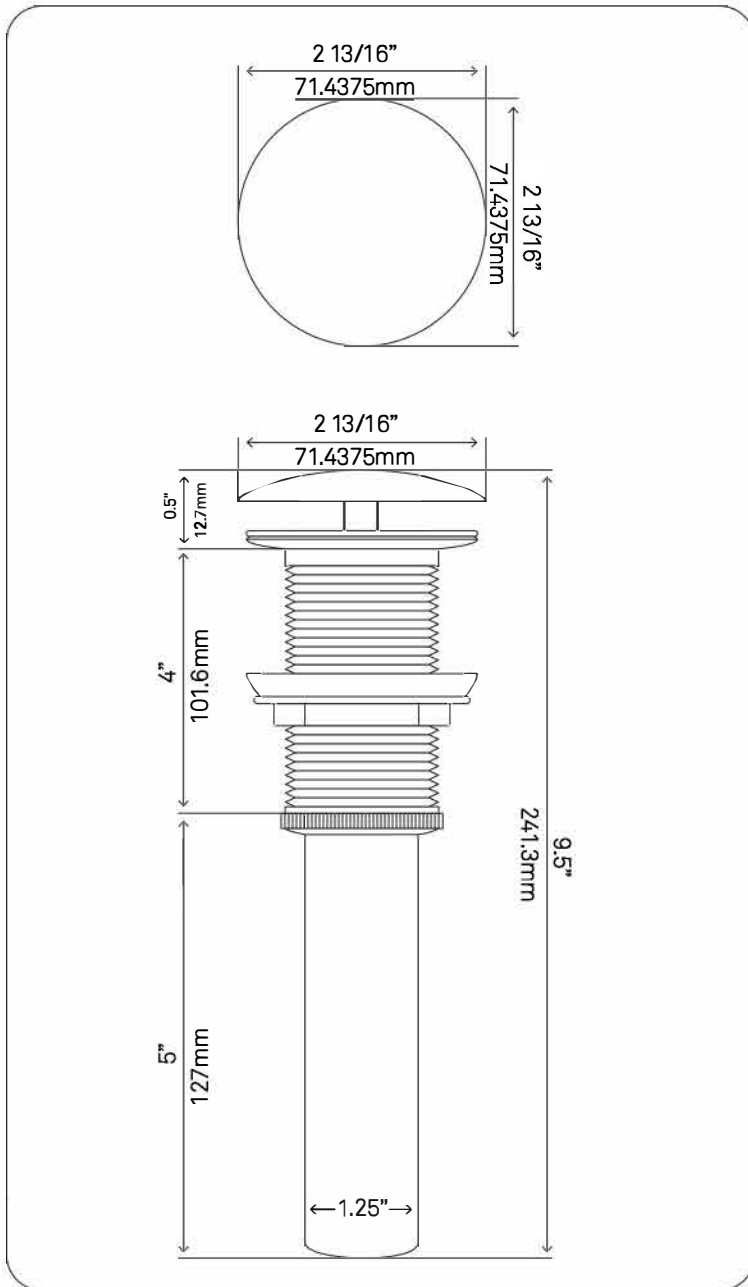
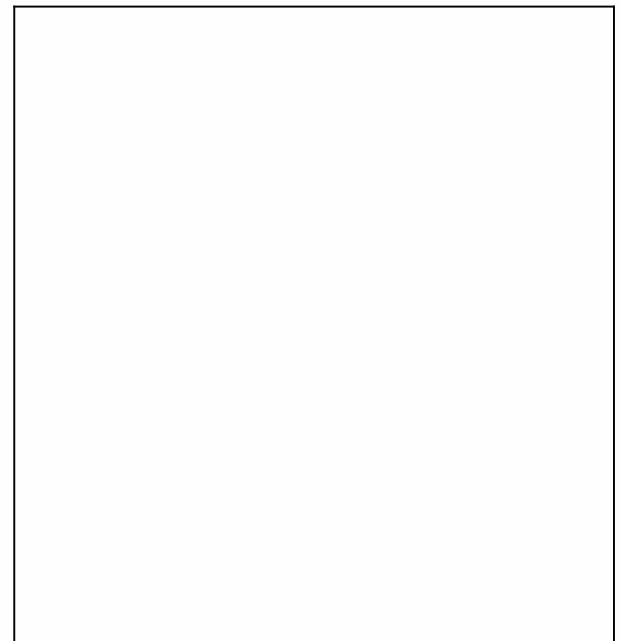
### WARRANTY:

- Limited lifetime warranty
- See [www.Novatto.com](http://www.Novatto.com) for details

### COORDINATING ACCESSORIES:

- Glacier Ice Restoration and Sealer kit
- Chrome Mounting Ring

### NOTES



Novatto reserves the right (1) to make changes in specifications and materials, and (2) to change or discontinue models, both without notice or obligation. Dimensions are for reference only, see [www.Novatto.com](http://www.Novatto.com) for finish options and product availability.

Novatto Inc  
TOLL FREE 844.404.4242  
[www.Novatto.com](http://www.Novatto.com)